



## SHe external connection implants

Thanks to its cylindrical design and its thread profile, the SHe implant is easy to be placed and it greatly improves primary stability in any situation in which adequate supportive bone is available.

### CHARACTERISTICS:

- Cylindrical self-tapping implant.
- External hexagonal connection.
- Polished collar.
- Rounded apex.
- Sandblasted and Acid-etched surface.
- A wide variety of prosthetic solutions.
- Supplied in a sterile package with and without multifunctional fixture-mount.



### Measures

#### Ø3,45



IE.3510  
IEM.3510

Implant Ø3,45x10 SHe  
Platform Ø3,45



IE.3511  
IEM.3511

Implant Ø3,45x11,5 SHe  
Platform Ø3,45



IE.3513  
IEM.3513

Implant Ø3,45x13 SHe  
Platform Ø3,45



IE.3515  
IEM.3515

Implant Ø3,45x15 SHe  
Platform Ø3,45

#### Ø3,75



IE.3708  
IEM.3708

Implant Ø3,75x8 SHe  
Platform Ø4,00



IE.3710  
IEM.3710

Implant Ø3,75x10 SHe  
Platform Ø4,00



IE.3711  
IEM.3711

Implant Ø3,75x11,5 SHe  
Platform Ø4,00



IE.3713  
IEM.3713

Implant Ø3,75x13 SHe  
Platform Ø4,00



IE.3715  
IEM.3715

Implant Ø3,75x15 SHe  
Platform Ø4,00

#### Ø4,00



IE.4008  
IEM.4008

Implant Ø4,00x8 SHe  
Platform Ø4,00



IE.4010  
IEM.4010

Implant Ø4,00x10 SHe  
Platform Ø4,00



IE.4011  
IEM.4011

Implant Ø4,00x11,5 SHe  
Platform Ø4,00



IE.4013  
IEM.4013

Implant Ø4,00x13 SHe  
Platform Ø4,00



IE.4015  
IEM.4015

Implant Ø4,00x15 SHe  
Platform Ø4,00

#### Ø5,00



IE.4708  
IEM.4708

Implant Ø4,75x8 SHe  
Platform Ø5,00



IE.4710  
IEM.4710

Implant Ø4,75x10 SHe  
Platform Ø5,00



IE.4711  
IEM.4711

Implant Ø4,75x11,5 SHe  
Platform Ø5,00



IE.4713  
IEM.4713

Implant Ø4,75x13 SHe  
Platform Ø5,00



IE.4715  
IEM.4715

Implant Ø4,75x15 SHe  
Platform Ø5,00

NOTE "The codes which have the letter M stand for fixture mounted implants"

Placement

Basic instruments for placement

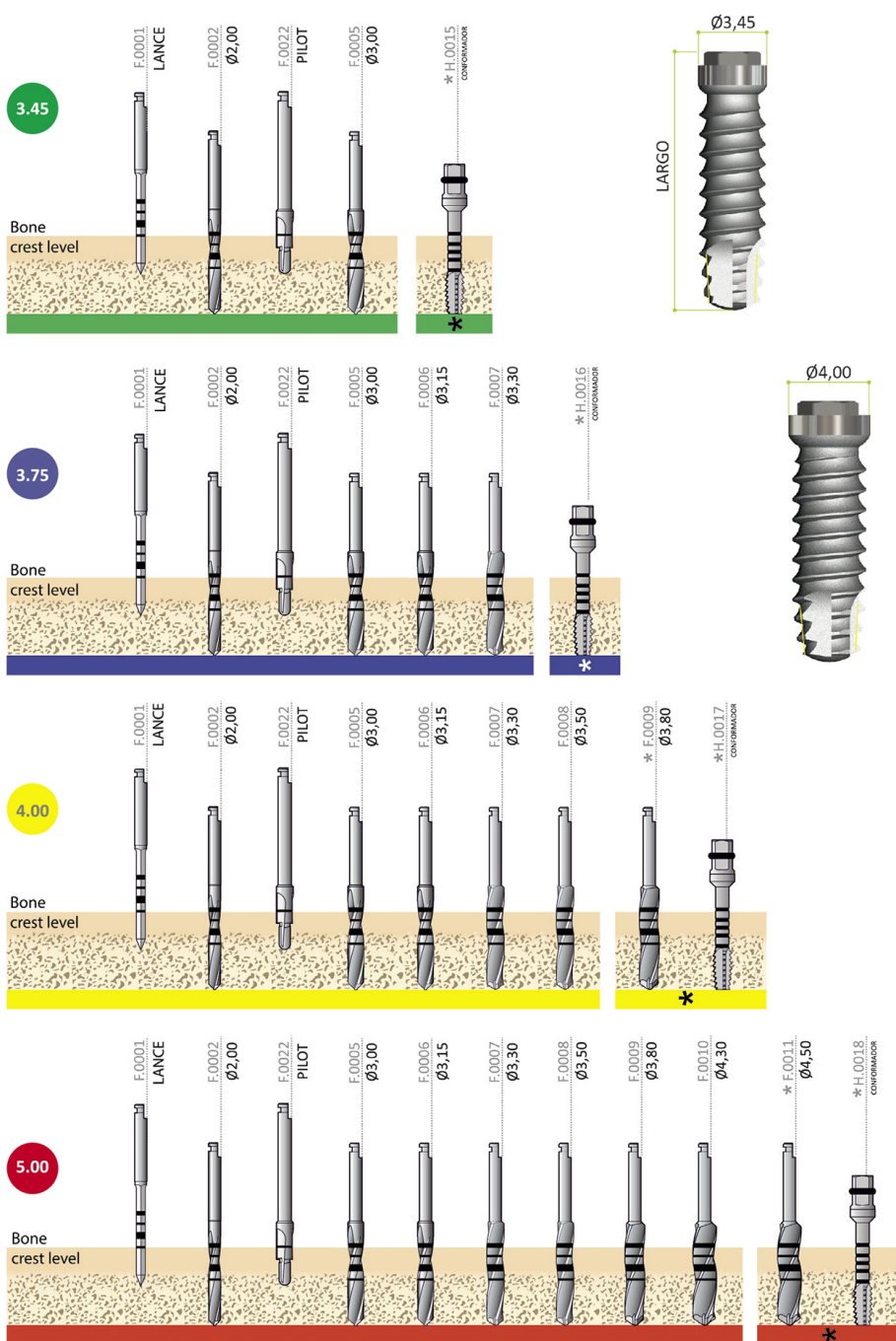
1. Lance drill 2,00 mm
2. Twist drill two-edges  $\varnothing 2,00$  mm
3. Pilot drill 2 to 3
4. Twist drill two-edges  $\varnothing 3,00$  mm
5. Twist drill two-edges  $\varnothing 3,15$  mm
6. Twist drill three-edges  $\varnothing 3,30$  mm
7. Twist drill three-edges  $\varnothing 3,50$  mm
8. Twist drill three-edges  $\varnothing 3,80$  mm
9. Twist drill three-edges  $\varnothing 4,30$  mm

- F.0001  
F.0002  
F.0022  
F.0005  
F.0006  
F.0007  
F.0008  
F.0009  
F.0010

10. Twist drill three-edges  $\varnothing 4,50$  mm
11. Fixture mount driver for ratchet wrench or contra-angle impl  $\varnothing 4/5$
12. Fixture mount driver for ratchet wrench or contra-angle impl  $\varnothing 3,45$
13. Straight parallel pin
14. Ratchet wrench
15. Hand rotating hexagon screw driver 0,050" long

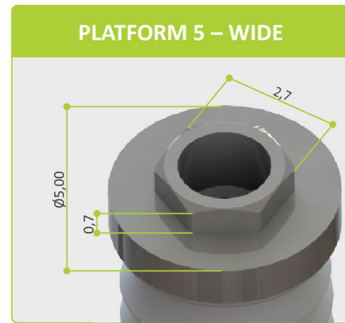
- F.0011  
DAI.040.M  
DCI.040.M  
DAI.035.M  
DCI.035.M  
h.0024  
h.0006  
DGH.050.L

Drilling protocol



NOTE: \*Use in bone type I and II, use countersink if the situation requires it.

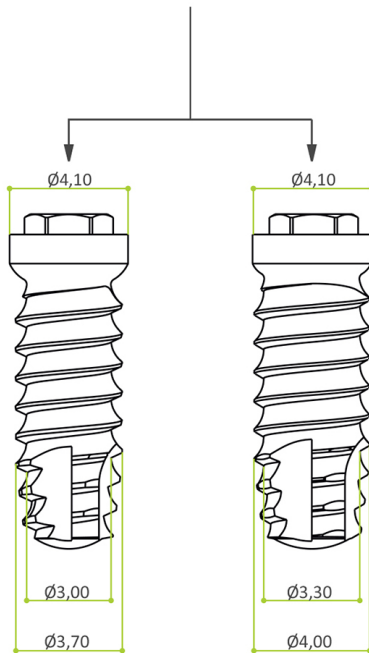
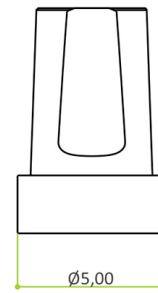
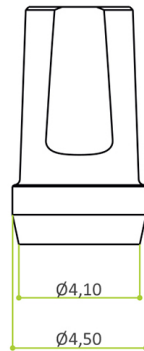
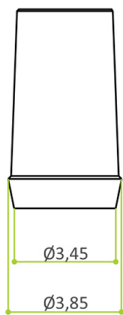
# SHe implants platforms



**PLATFORM 3,45**

**PLATFORM 4**

**PLATFORM 5**



**IMPLANT SHE 3,45**  
Platform 3,45 - narrow

**IMPLANT SHE 3,75**  
Platform 4 - regular

**IMPLANT SHE 4,00**  
Platform 4 - regular

**IMPLANT SHE 5,00**  
Plataforma 5 - ancha